

PLACENTA PIT CONSTRUCTION

GENERAL NOTES:



1. All dimensions are in millimeters unless otherwise stated.
2. All dimensions are to be checked and confirmed on site before commencement of any work
3. Depth of pad foundation 1200mm.
4. Depth of strip foundation 750mm.
5. Any discrepancy or changes is to be reported to IOM site Engineer/Project manager before proceeding

Rev:	Date	Description:	Approved
----	--/------	----	----
----	--/------	----	----
----	--/------	----	----
----	--/------	----	----

Program



Client:

GOVERNMENT OF SOUTH SUDAN

Implemented By:



Project:

PROPOSED PLACENTA PIT CONSTRUCTION

Drawing Title

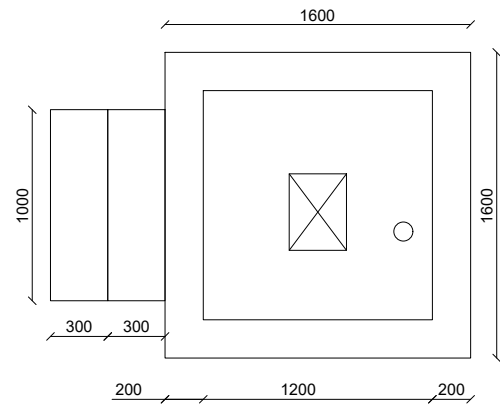
COVER PAGE

Designed By: H.A Drawn by: H.A

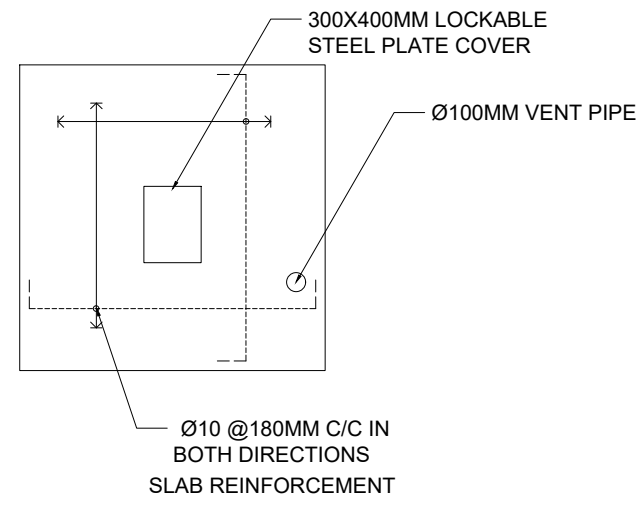
Checked: F.E & G.O Approved: ----

Sheet #: 1/2 Scale: AS SPECIFIED

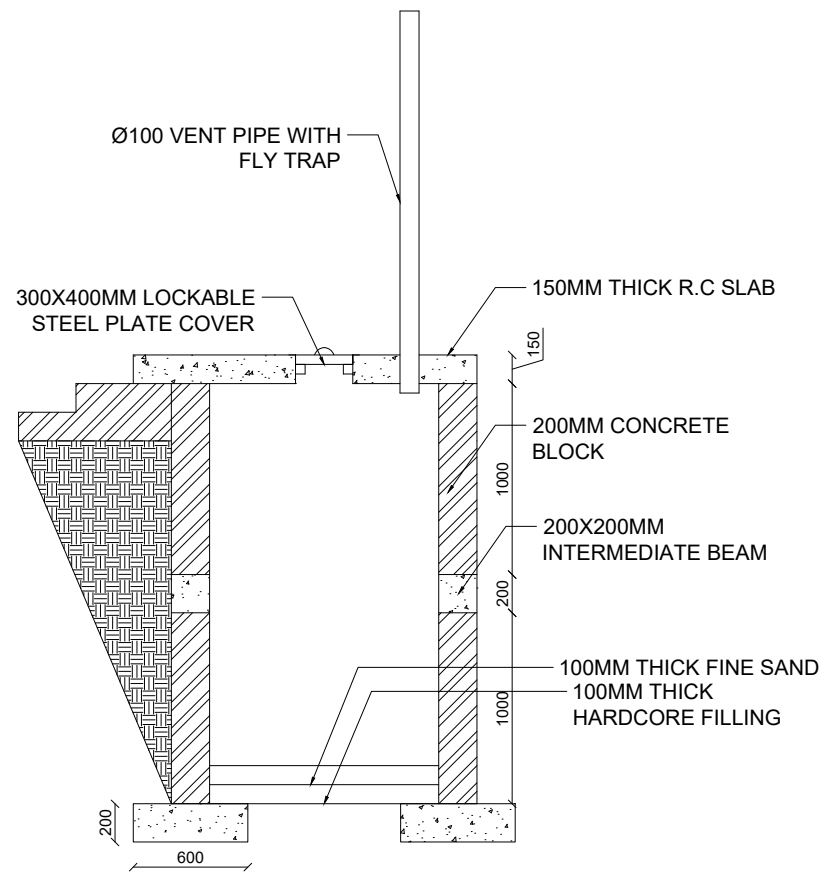
Date: 27 MAY 2024 Rev: 2



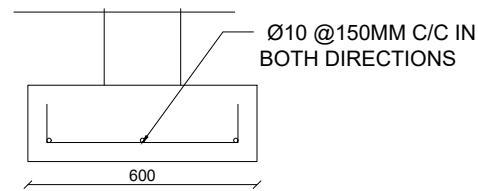
PLAN



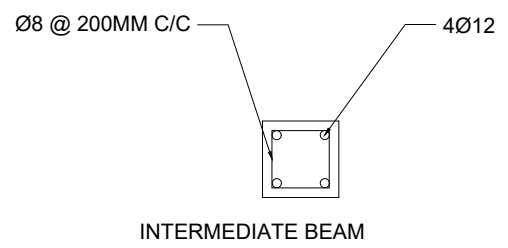
Ø10 @180MM C/C IN BOTH DIRECTIONS SLAB REINFORCEMENT



SECTION



FOOTING SCALE 1:10



INTERMEDIATE BEAM

GENERAL NOTES:



1. All dimensions are in millimeters unless otherwise stated.
2. All dimensions are to be checked and confirmed on site before commencement of any work
3. Depth of pad foundation 1200mm.
4. Depth of strip foundation 750mm.
5. Any discrepancy or changes is to be reported to IOM site Engineer/Project manager before proceeding

Rev:	Date	Description:	Approved
----	--/--/----	----	----
----	--/--/----	----	----
----	--/--/----	----	----
----	--/--/----	----	----

Program

Enhancing Community Resilience and Local Governance Project

Client:
GOVERNMENT OF SOUTH SUDAN

Implemented By:

IOM
UN MIGRATION

Project:
PROPOSED PLACENTA PIT CONSTRUCTION

Drawing Title
PLACENTA PIT PLAN & ELEVATION

Designed By: H.A	Drawn by: H.A
Checked: F.E & G.O	Approved: ----
Sheet #: 2/2	Scale: AS SPECIFIED
Date: 27 May 2024	Rev: 2